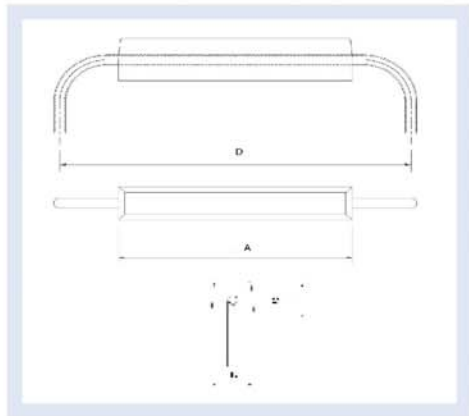


ALUMINIUM ANODES ALLOY 778S



Tank Anodes							
Type	A	B	C	D	Core Dia.	Nett Wt.	Gross Wt.
W115	1525	45	50	1985	12mm	8.2	10.2
W153	1016	63	70	1476	12mm	11.6	13.1
W151	1524	63	70	1985	12mm	17.3	19.3
W193	1005	80	95	1465	12mm	20.2	21.5
W191	1524	80	95	1985	12mm	30.9	32.7



Stand-off Anodes							
Type	A	B	C	D	Core Dia	Nett Wt.	
AR3204	1320	111	95	1920	2"	36	
AR33112	1523	112	118	2123	2"	53	
AR33116	1826	135	125	2426	2"	80	
AR4304	2225	160	125	2825	3"	137	
AR4307	2439	163	145	3039	3"	137	
AR4413	2465	163	152	3065	4"	148	
AR4427	2500	192	185	3100	4"	195	
AR53784	2758	210	205	3358	4"	245	
AR6509	2450	250	246	3050	4"	330	

Pipeline Bracelet Anodes			
Pipe OD	Length (mm)	Thickness (mm)	Net Weight
4"	100	75	21
6"	320	73	26
10"	300	51	55
16"	532	50	86
22"	501	40	90
24"	650	50	154
36"	870	45	287
42"	509	70	299



ALUMINIUM ANODES ALLOY 778S

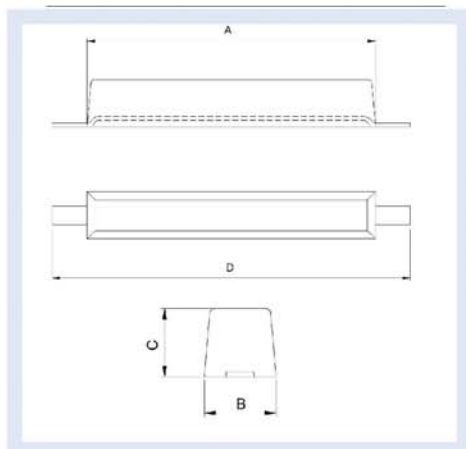
Corrpro's Aluminium Anode Alloy 778S, specifically meets the rigorous demands of the offshore industry. The anode alloy was introduced following extensive trials and independent verification of the alloys long-term electrochemical performance.

Applications for 778S include offshore platforms, semi-submersibles, jack-ups, FPSO's, submarine pipelines, wellheads and other types of submerged steel structures. 778S can also be used to cathodically protect further types of marine structures including vessels, wind farms, outfalls, pump caissons, steel piling, jetties, harbours and wharfs.

The 778S alloy anodes are suitable for use in a wide range of environments, water depths and temperatures. The excellent characteristics of 778S provide stable long-term electrochemical performance, uniform consumption and high electrochemical capacity.

Element	Analysis (% by weight)
Zinc	3.0 – 5.5
Indium	0.015 - 0.04
Iron	0.09 max
Silicon	0.10 max
Copper	0.005 max
Titanium	0.02 max
Others	0.02 max each
Total other elements	0.02 max
Aluminium	Remainder
Solution Potential (closed circuit)	
	1.10V wrt Ag/AgCl
Capacity (mean)	
	2600 Ah/Kg
Alloy Density	
	2.71 g/cc
Note: 778S electrochemical properties are in accordance with DNV-RP-B401 long-term testing	

Corrpro, formally Wilson Walton International, has an extensive range of standard anode types, including flush-fit, stand-off and bracelet anodes comprising of conventional half shell and tapered designs, segmented and saddle anodes. A list of some of the standard types is provided overleaf, however after casting anodes for more than 20 years, Corrpro has the experience and expertise to produce anodes that meet most clients' specific requirements. Alternatively, Corrpro can provide bespoke sacrificial anode Cathodic Protection systems that mitigate corrosion throughout the complete design life of any structure.



Flush Fit Anodes

Type	A	B	C	D	Core	Nett Wt.
AH3204	1320	111	95	1920	50 X 6	36
AH33112	1523	112	118	2123	50 X 10	53
AH33116	1826	135	125	2426	50 X 10	80
AH4340	2225	160	125	2825	50 X 10	105
AH4307	2439	163	145	3039	60 X 12	137
AH4413	2465	163	152	3065	60 X 12	148