

Permanode[®]

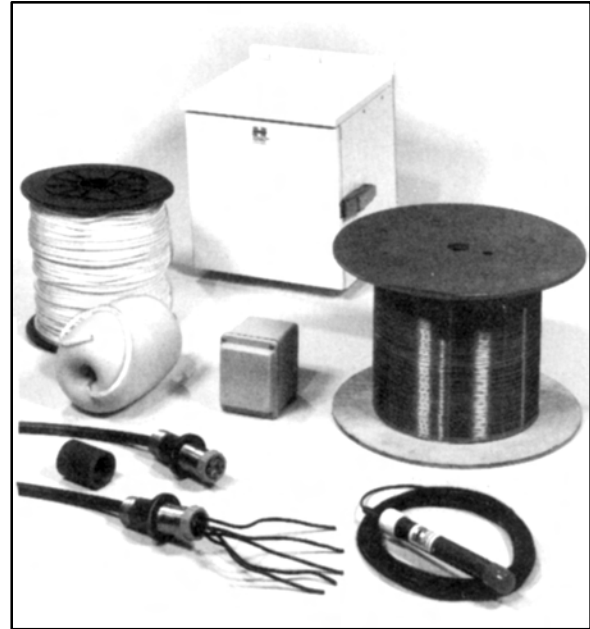
Water Storage Tank System

Continuous Protection for Tank Interiors

Water storage tanks are extremely susceptible to corrosion attack. Cathodic protection is a proven method for combating this attack and preventing unexpected service interruptions and costly repairs. Since 1948, Corrpro has designed, installed, and serviced cathodic protection systems on water storage tanks. Today the firm offers Permanode, an innovative impressed-current cathodic protection system that can be used on all types of water tanks.

In areas where icing is a problem, the system is installed by suspending anodes horizontally. The anodes used in this system are made from a precious-metal wire or rod. They are lightweight and provide even current distribution to all areas of the tank. To support the anodes, flexible tethered ropes are used. Because the ropes allow extra movement, the anodes can adjust slightly to avoid damage from floating ice masses. At least two permanent reference cells are included with the system, which are also attached to the tethered ropes. Reference cell and lead wire connections are completed in Corrpro's standard fiberglass junction box, which is placed on the outside of the tank opposite a watertight pressure fitting.

For tanks that are not susceptible to icing, the anodes in the Permanode system may be suspended horizontally or vertically. On the vertically suspended systems, the anodes are supported from the roof of the tank, and are kept taut by weights attached to their opposite end. Like the tank icing system, the non-icing vertical



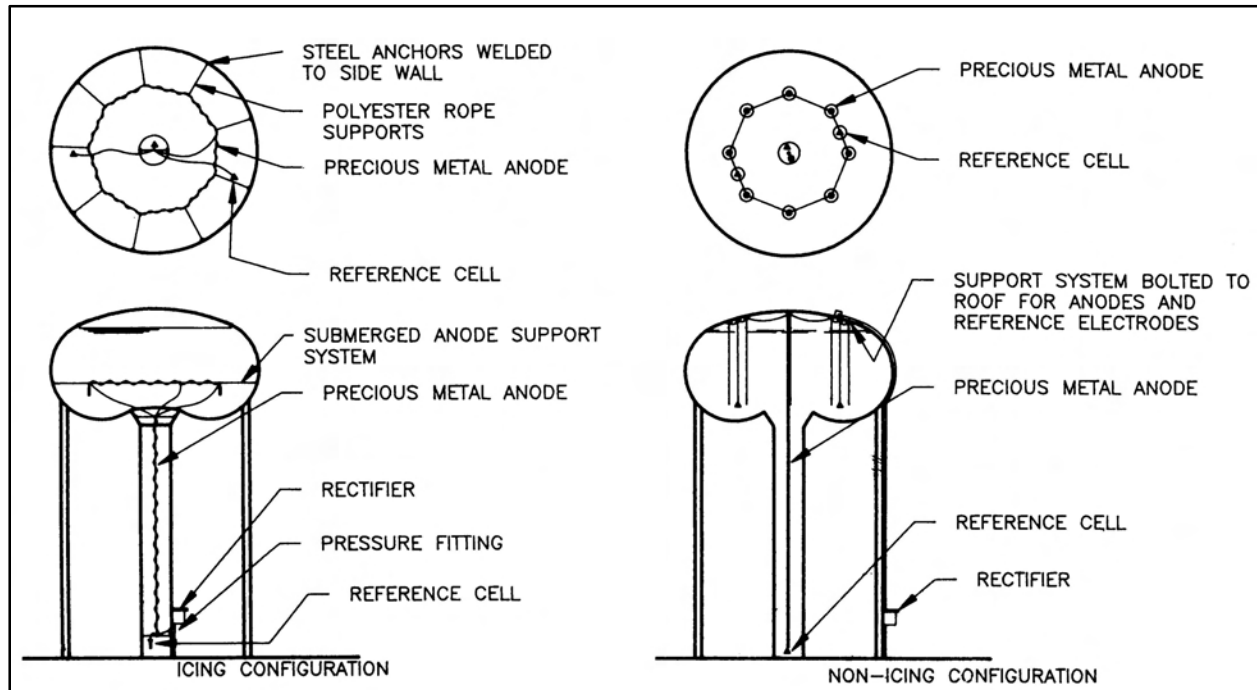
system also contains at least two Corrpro Permacell copper/copper sulfate reference cells. Lead wires for the cells are attached to the tank's roof, but the cells themselves are located near the lower bowl or base of the tank. Both configurations of the Permanode system are installed by trained Corrpro technicians. These same technicians are also available for routine maintenance and repairs. Power is provided to the tank system through an electronically controlled rectifier. The unit automatically adjusts to meet established protection levels, ensuring optimum performance.



Corrpro Companies Europe Limited

Adam Street, Bowesfield Lane, Stockton on Tees, TS18 3HQ
Telephone: (01642) 614106 (8 lines) Telex: 587388
Fax: (01642) 614100 E-mail: ccel@corrpro.co.uk

Permanode® Water Storage Tank System



Typical Applications

Corrpro's impressed-current cathodic protection system can be used to stop the corrosion attack on both elevated and ground level water storage tanks. It can be used in conjunction with coatings, and is designed to deliver a minimum of 20 years of protection. The system also can be used to halt corrosion on other water and wastewater treatment equipment.

Ordering Procedure

Corrpro's Permanode tank system is custom made to satisfy design specifications. To learn how the system can be used to effectively protect your structure, contact your local Corrpro Waterworks representative.



Corrpro Companies Europe Limited

Adam Street, Bowesfield Lane, Stockton on Tees, TS18 3HQ
Telephone: (01642) 614106 (8 lines) Telex: 587388
Fax: (01642) 614100 E-mail: ccel@corrpro.co.uk